

HEATING INPUT: 30,000–120,000 BTU/H

**TWO-STAGE, MULTI-SPEED
 ECM GAS FURNACE
 UP TO 96% AFUE**



Contents

Nomenclature..... 2
 Product Specifications..... 3
 Dimensions 4
 Airflow Specifications..... 5
 Wiring Diagrams..... 13
 Accessories 15

Standard Features

- Energy-efficient multi-speed ECM blower motor
- Heavy-duty stainless-steel tubular heat exchanger
- Stainless-steel secondary heat exchanger
- Two-stage gas valve provides quiet, economical heating
- Durable Silicon Nitride igniter
- Quiet two-speed induced draft blower
- Self-diagnostic control board with constant memory fault code history output to a LED
- Color-coded low-voltage terminals with provisions for electronic air cleaner and humidifier
- Low continuous fan speed options offer quiet air circulation
- All models comply with California 40 ng/J Low NOx emissions standard

Cabinet Features

- Designed for multi-position installation — upflow, horizontal left or right
- Certified for direct vent (2-pipe) or non-direct vent (1-pipe)
- Easy-to-install top venting with optional side venting
- Convenient left or right connection for gas and electrical service
- Cabinet air leakage ($Q_{Leak} \leq 2\%$)
- Heavy-gauge steel cabinet with durable finish
- Fully insulated heat exchanger and blower section
- Airtight solid bottom or side return with easy-cut tabs for effortless removal in bottom air-inlet applications



ENERGY STAR® and the ENERGY STAR mark are registered trademarks owned by the U.S. Environmental Protection Agency. ENERGY STAR products are third-party certified by an EPA-recognized Certification Body. Products that earn the ENERGY STAR prevent greenhouse gas emissions by meeting strict energy efficiency guidelines set by the U.S. Environmental Protection Agency.



* Complete warranty details available from your local dealer or at www.amana-hac.com. To receive the Lifetime Heat Exchanger Limited Warranty, the Lifetime Unit Replacement Limited Warranty (in both cases good for as long as you own your home), and the 10-Year Parts Limited Warranty, online registration must be completed within 60 days of installation. Online registration is not required in California or Québec.

	A	M	E	C	96	040	3	B	N	A	A	
	1	2	3	4	5,6	7,8,9	10	11	12	13	14	
Brand A - Amana® Brand											Minor Revision A - Initial Release B - 1st Revision	
Configuration M - Upflow/Horizontal C - Downflow/Horizontal											Major Revision A - Initial Release B - 1st Revision	
Motor V - Variable Speed ECM / ComfortNet E - Multi-Speed ECM S - Single Speed											NOx N - Low Nox (40ng/J)	
Gas Valve M - Modulating S - Single Stage C - Two Stage H - Convertible Single Phase											Cabinet Width A - 14" C - 21" B - 17½" D - 24½"	
AFUE 92 - 92% AFUE 97 - 97% AFUE 96 - 96% AFUE											Maximum CFM 2 - 800 CFM 3 - 1200 CFM 4 - 1600 CFM 5 - 2000 CFM	
MBTU/h 040 - 40,000 BTU/h 100 - 100,000 BTU/h 060 - 60,000 BTU/h 120 - 120,000 BTU/h 080 - 80,000 BTU/h												

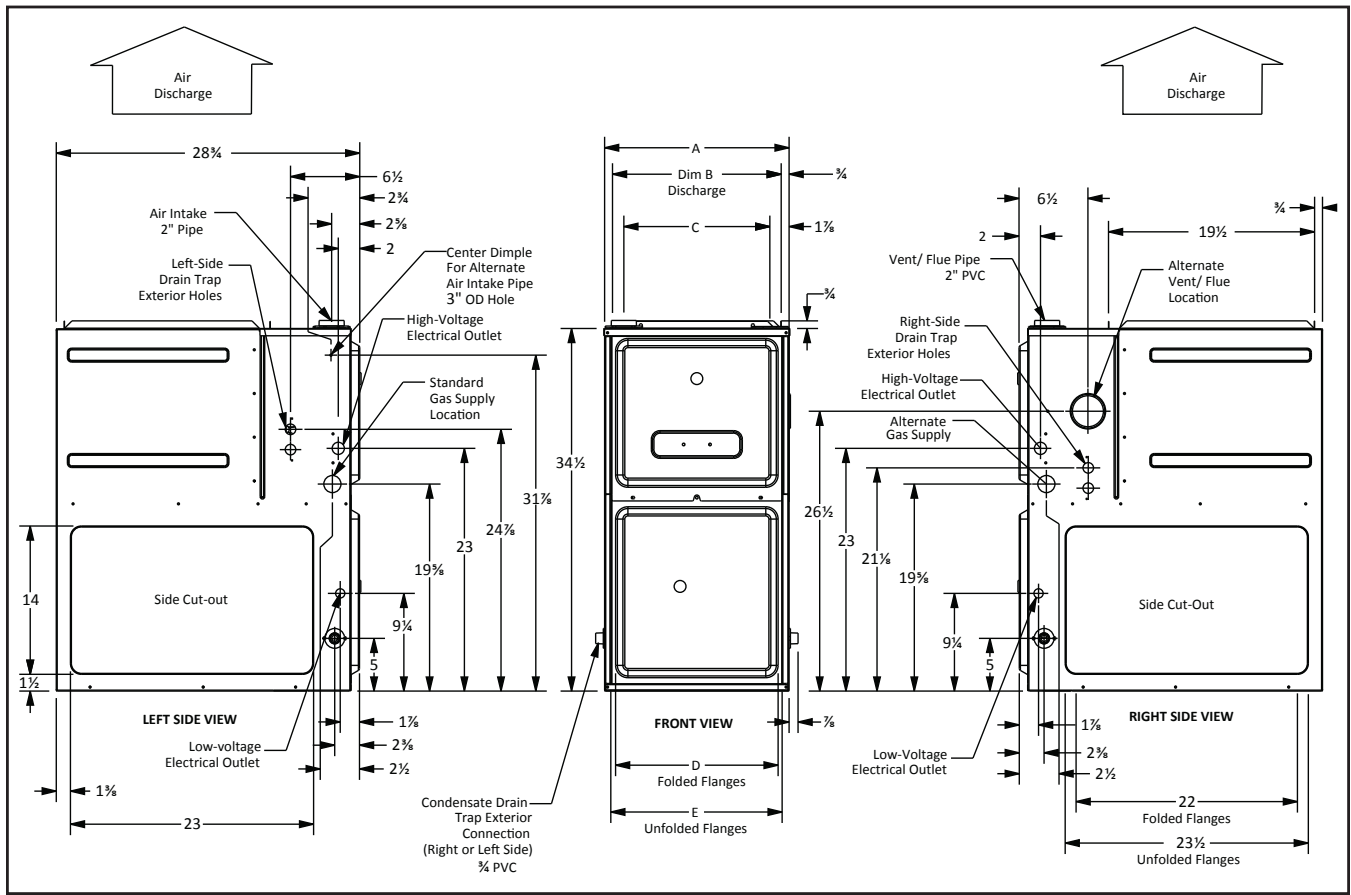
	AMEC96 0302BNA	AMEC96 0402BNA	AMEC96 0603BNA	AMEC96 0803BNA	AMEC96 0804CNA	AMEC96 1004CNA	AMEC96 1005CNA	AMEC96 1205DNA
HEATING DATA								
High Fire Input ¹	30,000	40,000	60,000	80,000	80,000	100,000	100,000	120,000
High Fire Output ¹	28,800	38,400	57,600	76,800	76,800	96,000	96,000	115,200
Low-Fire Input ¹	21,000	28,000	42,000	56,000	56,000	70,000	70,000	84,000
Low-Fire Output ¹	20,160	26,880	40,320	53,760	53,760	67,200	67,200	80,640
AFUE ²	96	96	96	96	96	96	96	96
Temp. Rise Range (°F)	20 - 50	20 - 50	20 - 50	35 - 65	25 - 55	35 - 65	35 - 65	35 - 65
Vent Diameter ³	2" - 3"	2" - 3"	2" - 3"	2" - 3"	2" - 3"	2" - 3"	2" - 3"	2" - 3"
No. of Burners	2	2	3	4	4	5	5	6
CIRCULATOR BLOWER								
Available AC @ 0.5" ESP	1.5 - 2	1.5 - 3	1.5 - 3	1.5 - 3	2.5 - 4	1.5 - 4	3 - 5	3 - 5
Size (D x W)	10" x 8"	10" x 8"	11" x 8"	11" x 8"	11" x 10"	11" x 10"	11" x 10"	11" x 11"
Horsepower @ 1075 RPM	1/2	1/2	1/2	1/2	3/4	1	1	1
Speed	5	5	5	5	5	5	5	5
ELECTRICAL DATA								
Min. Circuit Ampacity ⁴	8	8	8	8	11.6	13.3	13.3	13.3
Max. Overcurrent (amps) ⁵	15	15	15	15	15	15	15	15
SHIPPING WEIGHT (LBS)								
	111	112	115	118	123	140	140	154

¹ Natural Gas BTU/h
² DOE AFUE based upon Isolated Combustion System (ICS)
³ Installer must supply one or two PVC pipes: one for combustion air (optional) and one for the flue outlet (required). Vent pipe must be either 2" or 3" in diameter, depending upon furnace input, number of elbows, length of run and installation (1 or 2 pipes). The optional Combustion Air Pipe is dependent on installation/code requirements and must be 2" or 3" diameter PVC.
⁴ Minimum Circuit Ampacity = (1.25 x Circulator Blower Amps) + ID Blower amps. Wire size should be determined in accordance with National Electrical Codes. Extensive wire runs will require larger wire sizes.
⁵ Maximum Overcurrent Protection Device refers to maximum recommended fuse or circuit breaker size. May use fuses or HACR-type circuit breakers of the same size as noted.

NOTES

- All furnaces are manufactured for use on 115 VAC, 60 Hz, single-phase electrical supply.
- Gas Service Connection ½" FPT
- Important: Size fuses and wires properly and make electrical connections in accordance with the National Electrical Code and/or all existing local codes.
- For bottom return: Failure to unfold flanges may reduce airflow by up to 18%. This could result in performance and noise issues.
- For servicing or cleaning, a 24" front clearance is required. Unit connections (electrical, flue and drain) may necessitate greater clearances than the minimum clearances listed above. In all cases, accessibility clearance must take precedence over clearances from the enclosure where accessibility clearances are greater.

DIMENSIONS



MODEL	A	B	C	D	E
AMEC960302BNA	17½"	16"	13⅞"	12⅞"	13⅝"
AMEC960402BNA	17½"	16"	13⅞"	12⅞"	13⅝"
AMEC960603BNA	17½"	16"	13⅞"	12⅞"	13⅝"
AMEC960803BNA	17½"	16"	13⅞"	12⅞"	13⅝"
AMEC960804CNA	21"	19½"	17⅞"	16"	17½"
AMEC961004CNA	21"	19½"	17⅞"	16"	17½"
AMEC961005CNA	21"	19½"	17⅞"	16"	17½"
AMEC961205DNA	24½"	23"	20⅞"	19⅞"	20⅞"

MINIMUM CLEARANCES TO COMBUSTIBLE MATERIALS

POSITION	SIDES	REAR	FRONT	BOTTOM	FLUE	TOP
Upflow	0"	0"	3"	C	0"	1"
Horizontal	6"	0"	3"	C	0"	6"

C = If placed on combustible floor, the floor MUST be wood ONLY.

COOLING

DIPSWITCH SETTING: Switch Bank 2 Switch 1 2 3	STATIC	0.1	0.2	0.3	0.4	0.5	0.6	0.7	0.8
		CFM	CFM	CFM	CFM	CFM	CFM	CFM	CFM
	G	870	658	548	469	413	349	293	N/A
**OFF OFF OFF	Ylo	874	697	612	533	470	414	361	303
	Y	1146	1097	1049	1002	941	895	846	787
ON OFF OFF	Ylo	874	697	612	533	470	414	361	303
	Y	928	868	810	743	670	614	560	505
ON ON OFF	Ylo	928	868	810	743	670	614	560	505
	Y	1146	1097	1049	1002	941	895	846	787
OFF ON ON	Ylo	874	697	612	533	470	414	361	303
	Y	1146	1097	1049	1002	941	895	846	787
ON OFF ON	Ylo	885	821	755	684	621	557	508	461
	Y	1146	1097	1049	1002	941	895	846	787
ON ON ON	Ylo	885	821	755	684	621	557	508	461
	Y	874	697	612	533	470	414	361	303

**Factory Default

HEATING

DIPSWITCH SETTING: Switch Bank 3 Switch 1 2 3	STATIC	0.1		0.2		0.3		0.4		0.5		0.6	0.7	0.8
		CFM	Rise	CFM	Rise	CFM	Rise	CFM	Rise	CFM	Rise	CFM	CFM	CFM
**OFF OFF	W1	870	21	658	28	548	34	469	40	413	45	349	293	N/A
	W2	885	30	821	32	755	35	684	39	621	43	557	508	461
ON OFF	W1	874	21	697	27	612	31	533	35	470	40	414	361	303
	W2	885	30	821	32	755	35	684	39	621	43	557	508	461
ON ON	W1	874	21	697	27	612	31	533	35	470	40	414	361	303
	W2	928	29	868	31	810	33	743	36	670	40	614	560	505
OFF ON	W1	928	20	868	22	810	23	743	25	670	28	614	560	505
	W2	1146	23	1097	24	1049	25	1002	27	941	28	895	846	787

**Factory Default

NOTES

- All furnaces ship as high speed for cooling. Installer must adjust blower speed as needed.
- For most jobs, about 400 CFM per ton when cooling is desirable.
- INSTALLATION IS TO BE ADJUSTED TO OBTAIN TEMPERATURE RISE WITHIN THE RANGE SPECIFIED ON THE RATING PLATE.

MINIMUM FILTER SIZES

	AMEC96 0302BNA	AMEC96 0402BNA	AMEC96 0603BNA	AMEC96 0803BNA	AMEC96 1004CNA	AMEC96 1205DNA
Filter Size (in ²) (Qty)	(1) 16 x 25 (side or bottom)					(1) 20 x 25 (bottom) or (2) 16 x 25 (side)

Note: Other size filters of equal or greater dimensions may be used. Filters may also be centrally located.

COOLING

DIPSWITCH SETTING: Switch Bank 2 Switch 1 2 3	STATIC	0.1	0.2	0.3	0.4	0.5	0.6	0.7	0.8
		CFM	CFM	CFM	CFM	CFM	CFM	CFM	CFM
	G	847	694	611	535	471	415	357	313
**OFF OFF OFF	Ylo	856	667	546	466	413	357	302	N/A
	Y	1143	1095	1046	996	946	890	834	778
ON OFF OFF	Ylo	856	667	546	466	413	357	302	N/A
	Y	960	898	840	780	711	659	596	547
ON ON OFF	Ylo	960	898	840	780	711	659	596	547
	Y	1143	1095	1046	996	946	890	834	778
OFF OFF ON	Ylo	960	898	840	780	711	659	596	547
	Y	989	932	882	819	773	695	650	586
OFF ON ON	Ylo	856	667	546	466	413	357	302	N/A
	Y	1143	1095	1046	996	946	890	834	778
ON OFF ON	Ylo	989	932	882	819	773	695	650	586
	Y	1143	1095	1046	996	946	890	834	778

** Factory Default

HEATING

DIPSWITCH SETTING: Switch Bank 3 Switch 1 2 3	STATIC	0.1		0.2		0.3		0.4		0.5		0.6	0.7	0.8
		CFM	RISE	CFM	RISE	CFM	RISE	CFM	RISE	CFM	RISE	CFM	CFM	CFM
**OFF OFF	W1	847	29	694	36	611	41	535	47	471	53	415	357	313
	W2	989	36	932	38	882	40	819	43	773	46	695	650	586
ON OFF	W1	856	29	667	37	546	46	466	53	413	N/A	357	302	N/A
	W2	989	36	932	38	882	40	819	43	773	46	695	650	586
ON ON	W1	856	29	667	37	546	46	466	53	413	N/A	357	302	N/A
	W2	960	37	898	40	840	42	780	46	711	50	659	596	547
OFF ON	W1	960	26	898	28	840	30	780	32	711	35	659	596	547
	W2	1143	31	1095	32	1046	34	996	36	946	38	890	834	778

** Factory Default

NOTES

- All furnaces ship as high speed for cooling. Installer must adjust blower speed as needed.
- For most jobs, about 400 CFM per ton when cooling is desirable.
- INSTALLATION IS TO BE ADJUSTED TO OBTAIN TEMPERATURE RISE WITHIN THE RANGE SPECIFIED ON THE RATING PLATE.

COOLING

DIPSWITCH SETTING: Switch Bank 2 Switch 1 2 3	STATIC	0.1	0.2	0.3	0.4	0.5	0.6	0.7	0.8
		CFM	CFM	CFM	CFM	CFM	CFM	CFM	CFM
	G	894	846	780	720	660	603	554	505
**OFF OFF OFF	Ylo	782	629	547	469	396	333	N/A	N/A
	Y	1236	1189	1149	1101	1066	1017	969	928
ON OFF OFF	Ylo	782	629	547	469	396	333	N/A	N/A
	Y	1149	1104	1057	1017	963	918	865	822
ON ON OFF	Ylo	1149	1104	1057	1017	963	918	865	822
	Y	1236	1189	1149	1101	1066	1017	969	928
OFF OFF ON	Ylo	1149	1104	1057	1017	963	918	865	822
	Y	1328	1287	1249	1215	1170	1131	1085	1046
OFF ON ON	Ylo	782	629	547	469	396	333	N/A	N/A
	Y	1236	1189	1149	1101	1066	1017	969	928

** Factory Default

HEATING

DIPSWITCH SETTING: Switch Bank 3 Switch 1 2 3	STATIC	0.1		0.2		0.3		0.4		0.5		0.6	0.7	0.8
		CFM	RISE	CFM	RISE	CFM	RISE	CFM	RISE	CFM	RISE	CFM	CFM	CFM
**OFF OFF	W1	894	41	846	44	780	47	720	51	660	56	603	554	505
	W2	1328	40	1287	41	1249	42	1215	43	1170	45	1131	1085	1046
ON OFF	W1	782	47	629	59	547	N/A	469	N/A	396	N/A	N/A	N/A	N/A
	W2	1328	40	1287	41	1249	42	1215	43	1170	45	1131	1085	1046
ON ON	W1	782	47	629	59	547	N/A	469	N/A	396	N/A	N/A	N/A	N/A
	W2	1149	46	1104	48	1057	50	1017	52	963	55	918	865	822
OFF ON	W1	1149	32	1104	33	1057	35	1017	36	963	38	918	865	822
	W2	1236	43	1189	44	1149	46	1101	48	1066	50	1017	969	928

** Factory Default

NOTES

- All furnaces ship as high speed for cooling. Installer must adjust blower speed as needed.
- For most jobs, about 400 CFM per ton when cooling is desirable.
- INSTALLATION IS TO BE ADJUSTED TO OBTAIN TEMPERATURE RISE WITHIN THE RANGE SPECIFIED ON THE RATING PLATE.

COOLING

DIPSWITCH SETTING: Switch Bank 2 Switch 1 2 3	STATIC	0.1	0.2	0.3	0.4	0.5	0.6	0.7	0.8
		CFM	CFM	CFM	CFM	CFM	CFM	CFM	CFM
	G	1221	1172	1128	1087	1049	1005	959	922
**OFF OFF OFF	Ylo	750	644	569	507	442	388	328	N/A
	Y	1111	1068	1025	984	941	885	N/A	801
ON OFF OFF	Ylo	750	644	569	507	442	388	328	N/A
	Y	894	842	784	726	682	618	562	519
ON ON OFF	Ylo	894	842	784	726	682	618	562	519
	Y	1111	1068	1025	984	941	885	N/A	801
OFF ON OFF	Ylo	894	842	784	726	682	618	562	519
	Y	1221	1172	1128	1087	1049	1005	959	922
OFF OFF ON	Ylo	894	842	784	726	682	618	562	519
	Y	1311	1293	1249	1203	1172	1122	1088	1041
OFF ON ON	Ylo	750	644	569	507	442	388	328	N/A
	Y	1111	1068	1025	984	941	885	N/A	801

** Factory Default

HEATING

DIPSWITCH SETTING: Switch Bank 3 Switch 1 2	STATIC	0.1		0.2		0.3		0.4		0.5		0.6	0.7	0.8
		CFM	RISE	CFM	RISE	CFM	RISE	CFM	RISE	CFM	RISE	CFM	CFM	CFM
**OFF OFF	W1	1221	40	1172	42	1128	44	1087	45	1049	47	1005	959	922
	W2	1311	54	1293	54	1249	56	1203	58	1172	60	1122	1088	1041
ON OFF	W1	750	66	644	N/A	569	N/A	507	N/A	442	N/A	388	328	N/A
	W2	1311	54	1293	54	1249	56	1203	58	1172	60	1122	1088	1041
ON ON*	W1	750	66	644	N/A	569	N/A	507	N/A	442	N/A	388	328	N/A
	W2	894	N/A	842	N/A	784	N/A	726	N/A	682	N/A	618	562	519
OFF ON	W1	894	55	842	59	784	63	726	68	682	N/A	618	562	519
	W2	1111	63	1068	66	1025	69	984	72	941	75	885	N/A	801

* NOT RECOMMENDED ** Factory Default

NOTES

- All furnaces ship as high speed for cooling. Installer must adjust blower speed as needed.
- For most jobs, about 400 CFM per ton when cooling is desirable.
- INSTALLATION IS TO BE ADJUSTED TO OBTAIN TEMPERATURE RISE WITHIN THE RANGE SPECIFIED ON THE RATING PLATE.

COOLING

DIPSWITCH SETTING: Switch Bank 2 Switch 1 2 3	STATIC	0.1	0.2	0.3	0.4	0.5	0.6	0.7	0.8
		CFM	CFM	CFM	CFM	CFM	CFM	CFM	CFM
	G	1281	1220	1152	1096	1031	978	914	856
**OFF OFF OFF	Ylo	1408	1337	1279	1218	1167	1112	1062	999
	Y	1727	1691	1642	1600	1545	1504	1449	1410
ON ON OFF	Ylo	1185	1121	1058	992	933	868	808	750
	Y	1727	1691	1642	1600	1545	1504	1449	1410
OFF ON OFF	Ylo	1185	1121	1058	992	933	868	808	750
	Y	1281	1220	1152	1096	1031	978	914	856
OFF OFF ON	Ylo	1185	1121	1058	992	933	868	808	750
	Y	1839	1790	1757	1699	1665	1615	1568	1527
OFF ON ON	Ylo	1408	1337	1279	1218	1167	1112	1062	999
	Y	1727	1691	1642	1600	1545	1504	1449	1410

** Factory Default

HEATING

DIPSWITCH SETTING: Switch Bank 3 Switch 1 2	STATIC	0.1		0.2		0.3		0.4		0.5		0.6	0.7	0.8
		CFM	RISE	CFM	RISE	CFM	RISE	CFM	RISE	CFM	RISE	CFM	CFM	CFM
**OFF OFF	W1	1281	38	1220	40	1152	43	1096	45	1031	48	978	914	856
	W2	1839	38	1790	39	1757	40	1699	41	1665	42	1615	1568	1527
ON OFF	W1	1408	35	1337	37	1279	39	1218	40	1167	42	1112	1062	999
	W2	1839	38	1790	39	1757	40	1699	41	1665	42	1615	1568	1527
ON ON*	W1	1408	35	1337	37	1279	39	1218	40	1167	42	1112	1062	999
	W2	1185	N/A	1121	N/A	1058	N/A	992	N/A	933	N/A	868	808	750
OFF ON	W1	1185	42	1121	44	1058	47	992	50	933	53	868	808	519
	W2	1727	41	1691	42	1642	43	1600	44	1545	46	1504	1449	1410

* NOT RECOMMENDED ** Factory Default

NOTES

- All furnaces ship as high speed for cooling. Installer must adjust blower speed as needed.
- For most jobs, about 400 CFM per ton when cooling is desirable.
- INSTALLATION IS TO BE ADJUSTED TO OBTAIN TEMPERATURE RISE WITHIN THE RANGE SPECIFIED ON THE RATING PLATE.

COOLING

DIPSWITCH SETTING: Switch Bank 2 Switch 1 2 3	STATIC	0.1	0.2	0.3	0.4	0.5	0.6	0.7	0.8
		CFM	CFM	CFM	CFM	CFM	CFM	CFM	CFM
	G	1522	1464	1402	1338	1280	1230	1167	1101
**OFF OFF OFF	Ylo	1004	890	805	710	620	553	474	406
	Y	1772	1713	1662	1609	1540	1498	1452	1399
ON OFF OFF	Ylo	1004	890	805	710	620	553	474	406
	Y	1312	1235	1170	1101	1037	962	880	820
ON ON OFF	Ylo	1312	1235	1170	1101	1037	962	880	820
	Y	1772	1713	1662	1609	1540	1498	1452	1399
OFF ON OFF	Ylo	1312	1235	1170	1101	1037	962	880	820
	Y	1522	1464	1402	1338	1280	1230	1167	1101
OFF OFF ON	Ylo	1312	1235	1170	1101	1037	962	880	820
	Y	1861	1803	1749	1698	1653	1594	1549	1504
OFF ON ON	Ylo	1004	890	805	710	620	553	474	406
	Y	1772	1713	1662	1609	1540	1498	1452	1399

** Factory Default

HEATING

DIPSWITCH SETTING: Switch Bank 3 Switch 1 2	STATIC	0.1		0.2		0.3		0.4		0.5		0.6	0.7	0.8
		CFM	RISE	CFM	RISE	CFM	RISE	CFM	RISE	CFM	RISE	CFM	CFM	CFM
**OFF OFF	W1	1522	40	1464	42	1402	44	1338	46	1280	48	1230	1167	1101
	W2	1861	47	1803	49	1749	50	1698	52	1653	53	1594	1549	1504
ON OFF	W1	1004	61	890	69	805	N/A	710	N/A	620	N/A	553	474	406
	W2	1861	47	1803	49	1749	50	1698	52	1653	53	1594	1549	1504
ON ON*	W1	1004	61	890	69	805	N/A	710	N/A	620	N/A	553	474	406
	W2	1312	67	1235	N/A	1170	N/A	1101	N/A	1037	N/A	962	880	820
OFF ON	W1	1312	47	1235	50	1170	53	1101	56	1037	59	962	880	820
	W2	1772	50	1713	51	1662	53	1609	55	1540	57	1498	1452	1399

* NOT RECOMMENDED ** Factory Default

NOTES

- All furnaces ship as high speed for cooling. Installer must adjust blower speed as needed.
- For most jobs, about 400 CFM per ton when cooling is desirable.
- INSTALLATION IS TO BE ADJUSTED TO OBTAIN TEMPERATURE RISE WITHIN THE RANGE SPECIFIED ON THE RATING PLATE.

COOLING

DIPSWITCH SETTING: Switch Bank 2 Switch 1 2 3	STATIC	0.1	0.2	0.3	0.4	0.5	0.6	0.7	0.8
		CFM	CFM	CFM	CFM	CFM	CFM	CFM	CFM
	G	1283	1219	1162	1101	1036	974	917	864
**OFF OFF OFF	Ylo	1438	1366	1309	1254	1163	1133	1077	1013
	Y	2008	1963	1964	1916	1876	1839	1801	1759
ON ON OFF	Ylo	1384	1324	1271	1204	1145	1088	1029	985
	Y	2008	1963	1964	1916	1876	1839	1801	1759
OFF OFF ON	Ylo	1384	1324	1271	1204	1145	1088	1029	985
	Y	1811	1772	1733	1690	1644	1590	1551	1492
OFF ON ON	Ylo	1438	1366	1309	1254	1163	1133	1077	1013
	Y	2008	1963	1964	1916	1876	1839	1801	1759
ON OFF ON	Ylo	1811	1772	1733	1690	1644	1590	1551	1492
	Y	2008	1963	1964	1916	1876	1839	1801	1759

** Factory Default

HEATING

DIPSWITCH SETTING: Switch Bank 3 Switch 1 2	STATIC	0.1		0.2		0.3		0.4		0.5		0.6	0.7	0.8
		CFM	RISE	CFM	RISE	CFM	RISE	CFM	RISE	CFM	RISE	CFM	CFM	CFM
**OFF OFF	W1	1283	48	1219	51	1162	53	1101	56	1036	59	974	917	864
	W2	1811	49	1772	50	1733	51	1690	52	1644	54	1590	1551	1492
ON OFF	W1	1438	43	1366	45	1309	47	1254	49	1163	53	1133	1077	1013
	W2	1811	49	1772	50	1733	51	1690	52	1644	54	1590	1551	1492
ON ON*	W1	1438	43	1366	45	1309	47	1254	49	1163	53	1133	1077	1013
	W2	1384	64	1324	N/A	1271	N/A	1204	N/A	1145	N/A	1088	1029	985
OFF ON	W1	1384	44	1324	47	1271	48	1204	51	1145	54	1088	1029	985
	W2	2008	44	1963	45	1964	45	1916	46	1876	47	1839	1801	1759

* NOT RECOMMENDED ** Factory Default

NOTES

- All furnaces ship as high speed for cooling. Installer must adjust blower speed as needed.
- For most jobs, about 400 CFM per ton when cooling is desirable.
- INSTALLATION IS TO BE ADJUSTED TO OBTAIN TEMPERATURE RISE WITHIN THE RANGE SPECIFIED ON THE RATING PLATE.

COOLING

DIPSWITCH SETTING: Switch Bank 2 Switch 1 2 3	STATIC	0.1	0.2	0.3	0.4	0.5	0.6	0.7	0.8
		CFM	CFM	CFM	CFM	CFM	CFM	CFM	CFM
	G	1796	1753	1697	1645	1589	1536	1478	1425
**OFF OFF OFF	Ylo	1106	1017	946	855	764	681	605	N/A
	Y	1683	1628	1565	1511	1445	1387	1340	1276
ON OFF OFF	Ylo	1106	1017	946	855	764	681	605	N/A
	Y	1399	1327	1259	1185	1118	1051	980	913
ON ON OFF	Ylo	1399	1327	1259	1185	1118	1051	980	913
	Y	1683	1628	1565	1511	1445	1387	1340	1276
OFF ON OFF	Ylo	1399	1327	1259	1185	1118	1051	980	913
	Y	1796	1753	1697	1645	1589	1536	1478	1425
OFF OFF ON	Ylo	1399	1327	1259	1185	1118	1051	980	913
	Y	2211	2162	2122	2076	2029	1986	1984	1942
OFF ON ON	Ylo	1106	1017	946	855	764	681	605	N/A
	Y	1683	1628	1565	1511	1445	1387	1340	1276

** Factory Default

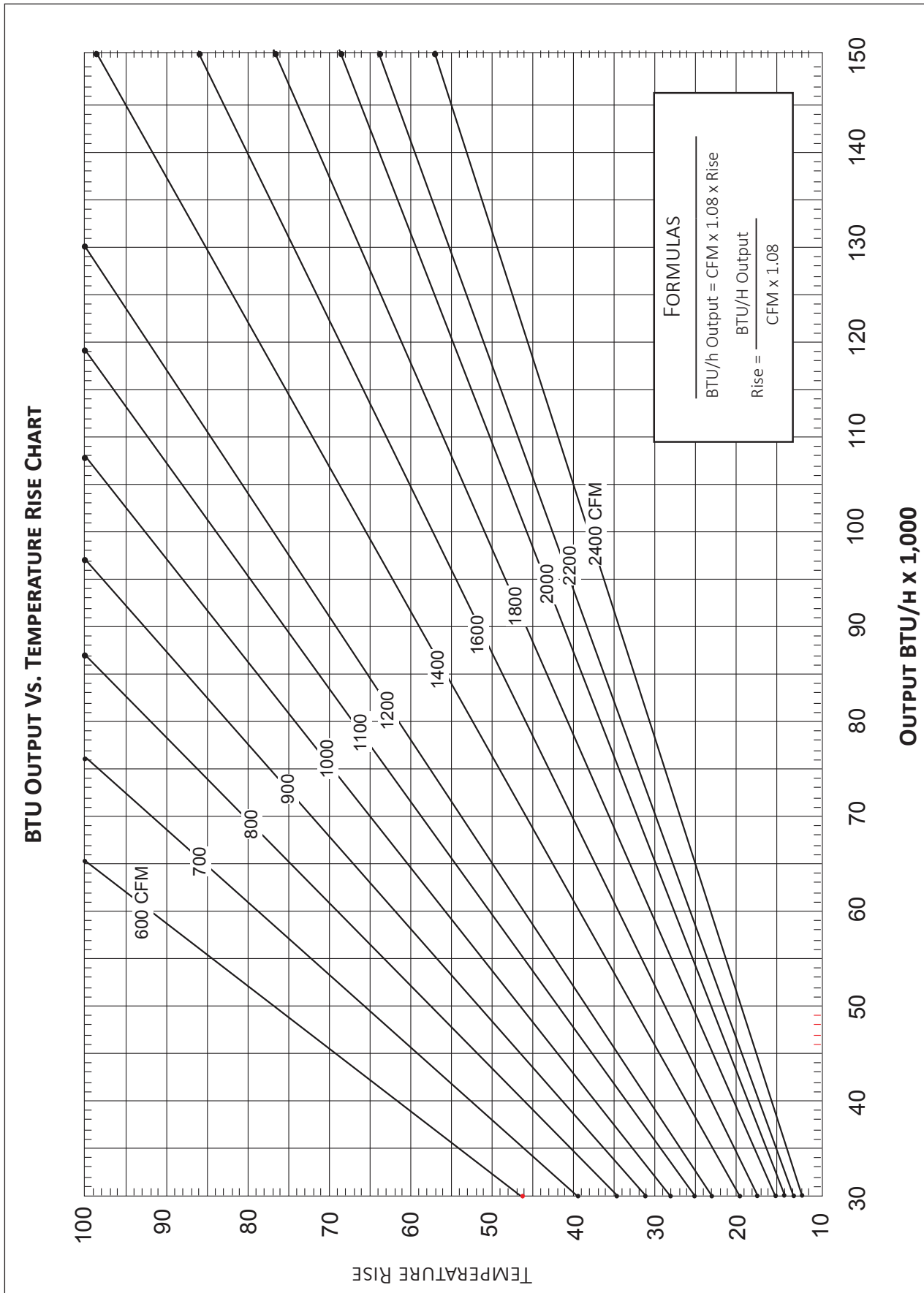
HEATING

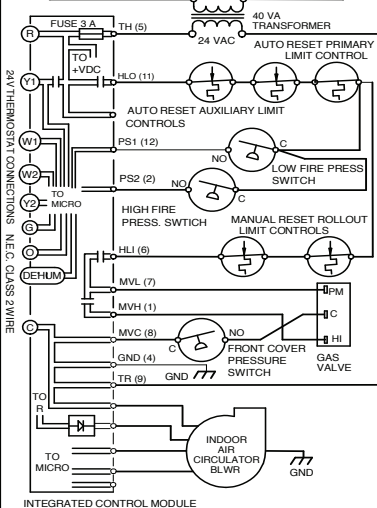
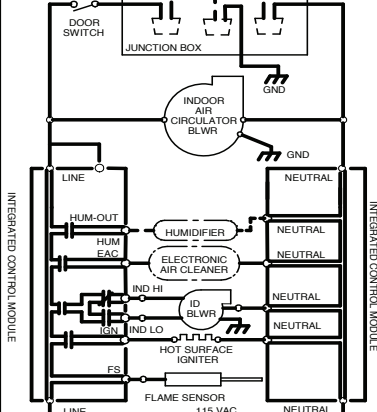
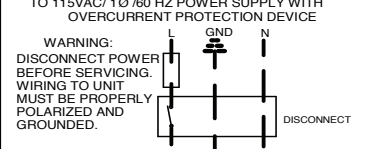
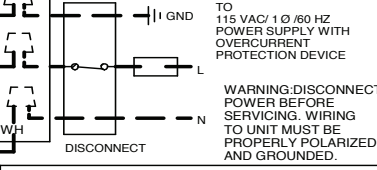
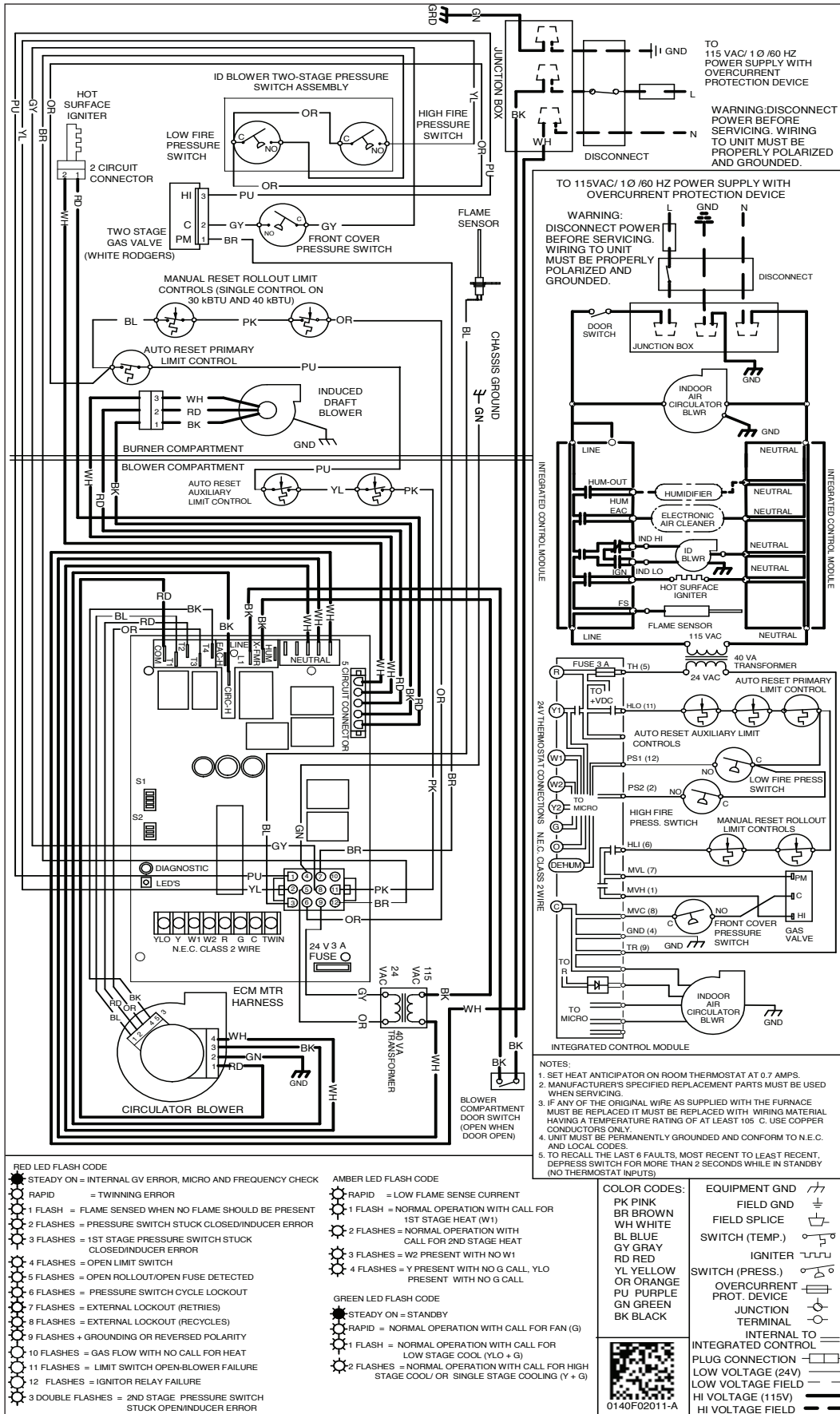
DIPSWITCH SETTING: Switch Bank 3 Switch 1 2	STATIC	0.1		0.2		0.3		0.4		0.5		0.6	0.7	0.8
		CFM	RISE	CFM	RISE	CFM	RISE	CFM	RISE	CFM	RISE	CFM	CFM	CFM
**OFF OFF	W1	1796	41	1753	42	1697	44	1645	45	1589	47	1536	1478	1425
	W2	2211	48	2162	49	2122	50	2076	51	2029	52	1986	1984	1942
ON OFF	W1	1106	67	1017	73	946	N/A	855	N/A	764	N/A	681	605	N/A
	W2	2211	48	2162	49	2122	50	2076	51	2029	52	1986	1984	1942
ON ON*	W1	1106	67	1017	73	946	N/A	855	N/A	764	N/A	681	605	N/A
	W2	1399	75	1327	N/A	1259	N/A	1185	N/A	1118	N/A	1051	980	913
OFF ON	W1	1399	53	1327	56	1259	59	1185	62	1118	66	1051	980	913
	W2	1683	63	1628	65	1565	67	1511	70	1445	73	1387	1340	1276

* NOT RECOMMENDED ** Factory Default

NOTES

- All furnaces ship as high speed for cooling. Installer must adjust blower speed as needed.
- For most jobs, about 400 CFM per ton when cooling is desirable.
- INSTALLATION IS TO BE ADJUSTED TO OBTAIN TEMPERATURE RISE WITHIN THE RANGE SPECIFIED ON THE RATING PLATE.





- NOTES:
1. SET HEAT ANTICIPATOR ON ROOM THERMOSTAT AT 0.7 AMPS.
 2. MANUFACTURER'S SPECIFIED REPLACEMENT PARTS MUST BE USED WHEN SERVICING.
 3. IF ANY OF THE ORIGINAL WIRE AS SUPPLIED WITH THE FURNACE MUST BE REPLACED IT MUST BE REPLACED WITH WIRING MATERIAL HAVING A TEMPERATURE RATING OF AT LEAST 105 C. USE COPPER CONDUCTORS ONLY.
 4. UNIT MUST BE PERMANENTLY GROUNDED AND CONFORM TO N.E.C. AND LOCAL CODES.
 5. TO RECALL THE LAST 6 FAULTS, MOST RECENT TO LEAST RECENT, DEPRESS SWITCH FOR MORE THAN 2 SECONDS WHILE IN STANDBY (NO THERMOSTAT INPUTS)

- RED LED FLASH CODE
- STEADY ON = INTERNAL GV ERROR, MICRO AND FREQUENCY CHECK
 - RAPID = TWINNING ERROR
 - 1 FLASH = FLAME SENSED WHEN NO FLAME SHOULD BE PRESENT
 - 2 FLASHES = PRESSURE SWITCH STUCK CLOSED/INDUCER ERROR
 - 3 FLASHES = 1ST STAGE PRESSURE SWITCH STUCK CLOSED/INDUCER ERROR
 - 4 FLASHES = OPEN LIMIT SWITCH
 - 5 FLASHES = OPEN ROLLOUT/OPEN FUSE DETECTED
 - 6 FLASHES = PRESSURE SWITCH CYCLE LOCKOUT
 - 7 FLASHES = EXTERNAL LOCKOUT (RETRIES)
 - 8 FLASHES = EXTERNAL LOCKOUT (RECYCLES)
 - 9 FLASHES + GROUNDING OR REVERSED POLARITY
 - 10 FLASHES = GAS FLOW WITH NO CALL FOR HEAT
 - 11 FLASHES = LIMIT SWITCH OPEN-BLOWER FAILURE
 - 12 FLASHES = IGNITOR RELAY FAILURE
 - 3 DOUBLE FLASHES = 2ND STAGE PRESSURE SWITCH STUCK OPEN/INDUCER ERROR

- AMBER LED FLASH CODE
- RAPID = LOW FLAME SENSE CURRENT
 - 1 FLASH = NORMAL OPERATION WITH CALL FOR 1ST STAGE HEAT (W1)
 - 2 FLASHES = NORMAL OPERATION WITH CALL FOR 2ND STAGE HEAT
 - 3 FLASHES = W2 PRESENT WITH NO W1
 - 4 FLASHES = Y PRESENT WITH NO G CALL, YLO PRESENT WITH NO G CALL
- GREEN LED FLASH CODE
- STEADY ON = STANDBY
 - RAPID = NORMAL OPERATION WITH CALL FOR FAN (G)
 - 1 FLASH = NORMAL OPERATION WITH CALL FOR LOW STAGE COOL (YLO + G)
 - 2 FLASHES = NORMAL OPERATION WITH CALL FOR HIGH STAGE COOL/ OR SINGLE STAGE COOLING (Y + G)

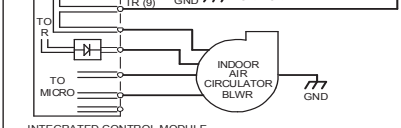
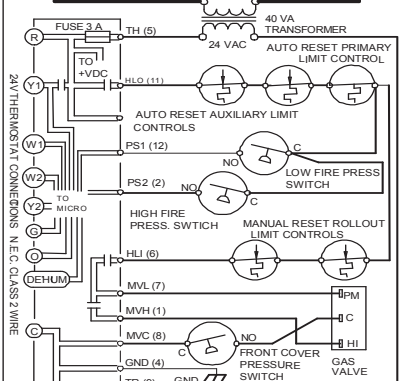
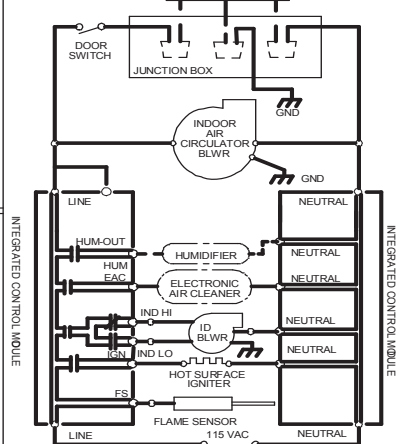
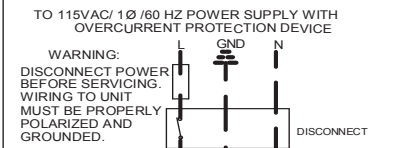
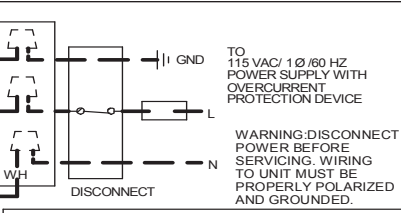
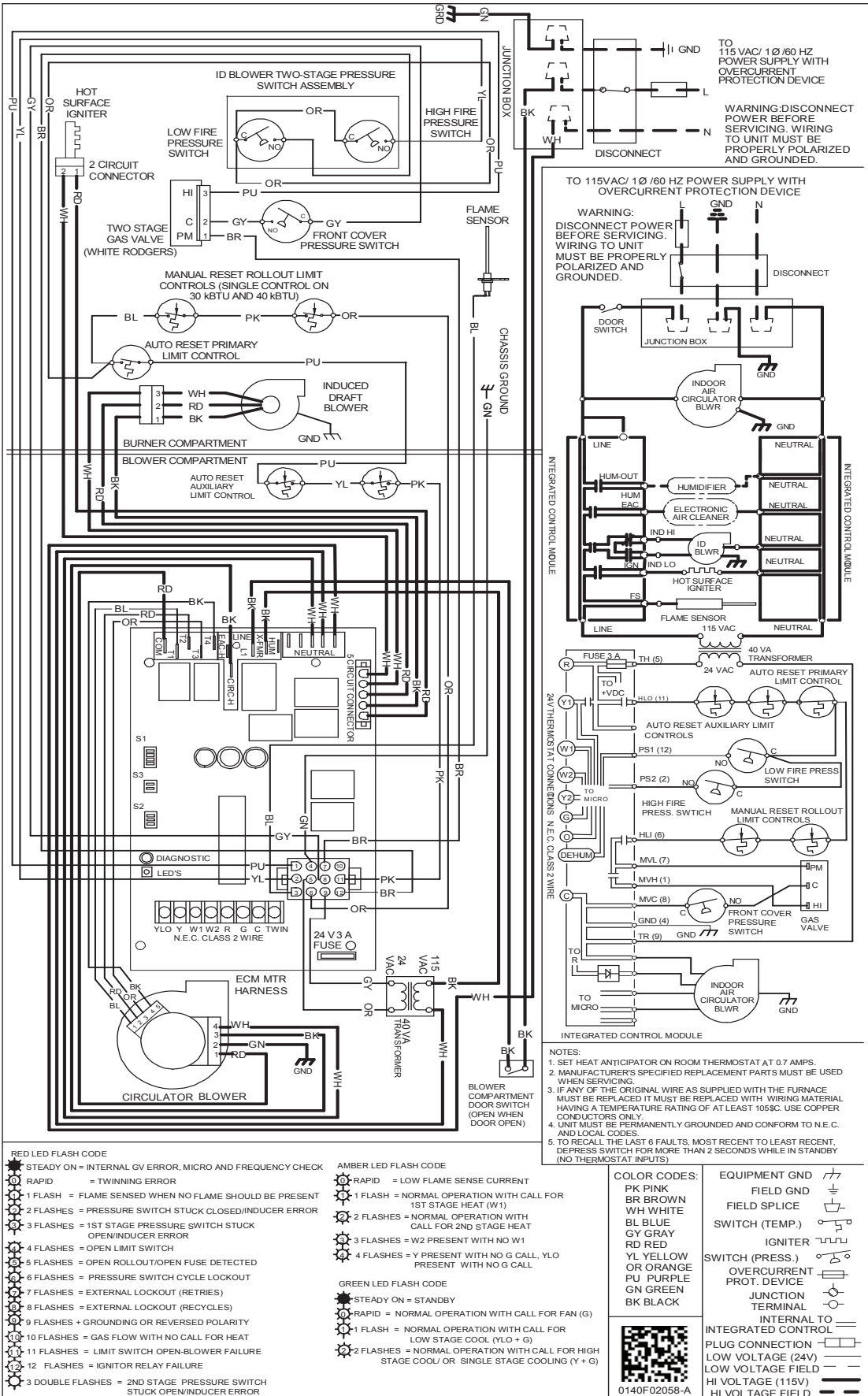
COLOR CODES:	EQUIPMENT GND
PK PINK	FIELD GND
BR BROWN	FIELD SPLICE
WH WHITE	SWITCH (TEMP.)
BL BLUE	IGNITER
GY GRAY	SWITCH (PRESS.)
RD RED	OVERCURRENT PROT. DEVICE
YL YELLOW	JUNCTION
OR ORANGE	TERMINAL
PU PURPLE	INTERNAL TO
GN GREEN	INTEGRATED CONTROL
BK BLACK	PLUG CONNECTION
	LOW VOLTAGE (24V)
	LOW VOLTAGE FIELD
	HI VOLTAGE (115V)
	HI VOLTAGE FIELD



High Voltage: Disconnect all power before servicing or installing this unit. Multiple power sources may be present. Failure to do so may cause property damage, personal injury, or death.



Wiring is subject to change. Always refer to the wiring diagram on the unit for the most up-to-date wiring.



- NOTES:
1. SET HEAT ANTIPICTOR ON ROOM THERMOSTAT AT 0.7 AMPS.
 2. MANUFACTURER'S SPECIFIED REPLACEMENT PARTS MUST BE USED WHEN SERVICING.
 3. IF ANY OF THE ORIGINAL WIRE AS SUPPLIED WITH THE FURNACE MUST BE REPLACED IT MUST BE REPLACED WITH WIRING MATERIAL HAVING A TEMPERATURE RATING OF AT LEAST 105°C. USE COPPER CONDUCTORS ONLY.
 4. UNIT MUST BE PERMANENTLY GROUNDED AND CONFORM TO N.E.C. AND LOCAL CODES.
 5. TO RECALL THE LAST 6 FAULTS, MOST RECENT TO LEAST RECENT, DEPRESS SWITCH FOR MORE THAN 2 SECONDS WHILE IN STANDBY (NO THERMOSTAT INPUTS).

- RED LED FLASH CODE**
- STEADY ON = INTERNAL GV ERROR, MICRO AND FREQUENCY CHECK
 - RAPID = TWINNING ERROR
 - 1 FLASH = FLAME SENSED WHEN NO FLAME SHOULD BE PRESENT
 - 2 FLASHES = PRESSURE SWITCH STUCK CLOSED/INDUCER ERROR
 - 3 FLASHES = 1ST STAGE PRESSURE SWITCH STUCK OPEN/INDUCER ERROR
 - 4 FLASHES = OPEN LIMIT SWITCH
 - 5 FLASHES = OPEN ROLLOUT/OPEN FUSE DETECTED
 - 6 FLASHES = PRESSURE SWITCH CYCLE LOCKOUT
 - 7 FLASHES = EXTERNAL LOCKOUT (RETRIES)
 - 8 FLASHES = EXTERNAL LOCKOUT (RECYCLES)
 - 9 FLASHES = GROUNDING OR REVERSED POLARITY
 - 10 FLASHES = GAS FLOW WITH NO CALL FOR HEAT
 - 11 FLASHES = LIMIT SWITCH OPEN-BLOWER FAILURE
 - 12 FLASHES = IGNITOR RELAY FAILURE
 - 3 DOUBLE FLASHES = 2ND STAGE PRESSURE SWITCH STUCK OPEN/INDUCER ERROR

- AMBER LED FLASH CODE**
- RAPID = LOW FLAME SENSE CURRENT
 - 1 FLASH = NORMAL OPERATION WITH CALL FOR 1ST STAGE HEAT (W1)
 - 2 FLASHES = NORMAL OPERATION WITH CALL FOR 2ND STAGE HEAT
 - 3 FLASHES = W2 PRESENT WITH NO W1
 - 4 FLASHES = Y PRESENT WITH NO G CALL, YLO PRESENT WITH NO G CALL
- GREEN LED FLASH CODE**
- STEADY ON = STANDBY
 - RAPID = NORMAL OPERATION WITH CALL FOR FAN (G)
 - 1 FLASH = NORMAL OPERATION WITH CALL FOR LOW STAGE COOL (YLO + G)
 - 2 FLASHES = NORMAL OPERATION WITH CALL FOR HIGH STAGE COOL/ OR SINGLE STAGE COOLING (Y + G)

COLOR CODES:	EQUIPMENT GND
PK PINK	FIELD GND
BR BROWN	FIELD SPLICE
WH WHITE	SWITCH (TEMP.)
BL BLUE	IGNITER
GY GRAY	SWITCH (PRESS.)
RD RED	OVERCURRENT PROT. DEVICE
YL YELLOW	JUNCTION TERMINAL
OR ORANGE	INTERNAL TO INTEGRATED CONTROL
PU PURPLE	PLUG CONNECTION
GN GREEN	LOW VOLTAGE (24V)
BK BLACK	LOW VOLTAGE FIELD
	HI VOLTAGE (115V)
	HI VOLTAGE FIELD



WARNING

High Voltage: Disconnect all power before servicing or installing this unit. Multiple power sources may be present. Failure to do so may cause property damage, personal injury, or death.

MODEL	DESCRIPTION	AMEC96 0302BNA	AMEC96 0402BNA	AMEC96 0603BNA	AMEC96 0803BNA	AMEC96 0804CNA	AMEC96 1004CNA	AMEC96 1005CNA	AMEC96 1205DNA
CVENT-2	Concentric Vent Kit (2")	√	√	√	√	√	√	√	
CVENT-3	Concentric Vent Kit (3")	√	√	√	√	√	√	√	√
RF000142	Drain Kit -Horizontal Left Vertical Flue	√	√	√	√	√	√	√	√
EFRO2	External Filter Rack with 16"x25" Permanent Filter	√	√	√	√	√	√	√	---
0170K00000S	Flush Mount Vent Kit - 3" or 2"	√	√	√	√	√	√	√	√
0170K00001S	Flush Mount Vent Kit - 2"	√	√	√	√	√	√	√	√
AFE18-60A	Fossil Fuel (Dual Fuel) Kit	√	√	√	√	√	√	√	√
HASFK	High-Altitude Natural Gas Kit	N/A	HASFK-1	HASFK-1	HASFK-2	HASFK-2	HASFK-2	HASFK-3	HASFK-3
HASFK	High-Altitude LP Gas Kit	N/A	HASFK-1	HASFK-1	HASFK-2	HASFK-2	HASFK-2	HASFK-2	HASFK-2
LPLP03	Low LP Gas Pressure Switch	√	√	√	√	√	√	√	√
LPM-08	LP Conversion Kits	---	√	√	√	√	√	√	√
LPM-30	LP Conversion Kit	√	---	---	---	---	---	---	---